

Inline duct fan DV-PP-SILENT



Description

Inline duct fan with mixed flow is a modern construction made from synthetic materials. It is lightweight, yet rigid. High efficiency is achieved due to specially designed fan blades. Double layer acoustic insulation together with sound wave holes reduce noise level. Fan is equipped with back flow damper. Mounting and dismantling is done with ease thanks to tool-free plastic clips.



Can be equipped with speed regulator 1 DV-REG-L-1.

Notice:

DV-PP-SILENT-100/125 - is suitable for \varnothing 125 mm ducts as well as for \varnothing 100 mm due to included reducer.

DV-PP-SILENT-150 - is designed for both \varnothing 150 mm and 160 mm (second gasket) diameter ducts.

DV-PP-SILENT-200 - is suitable for \varnothing 125 mm ducts.

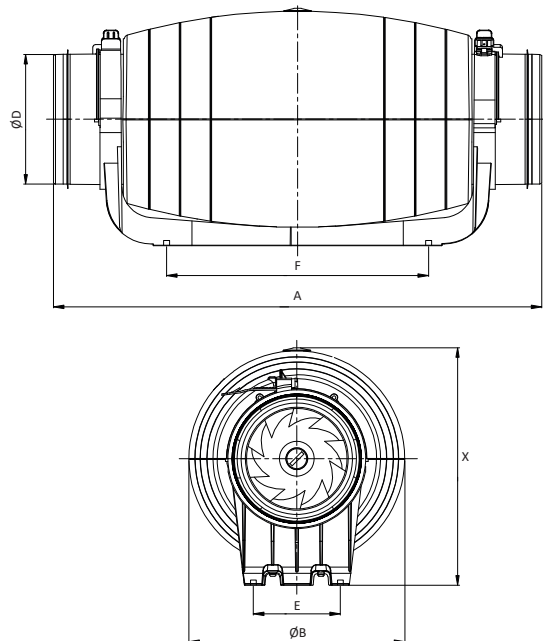
Example identification

Product code: **DV-PP-SILENT - 100/125**

type _____
 \varnothing D _____

**Precise technical data with accordance to EU ecodesign directive (ErP) is always found onto technical label placed on the device.*

Dimensions



Model	X	A	ØB	ØD	E	F	Weight [kg]
DV-PP-SILENT-100/125	225	580/462	205	97	82	248	3,0/2,8
DV-PP-SILENT-150	244	488	221	148/158	95	251	4,0
DV-PP-SILENT-200	301	567	262	198	128	339	5,9

Note:

DV-PP-SILENT-100/125 is suitable for \varnothing 125 mm ducts as well as for \varnothing 100 mm due to included reducer.

DV-PP-SILENT-125

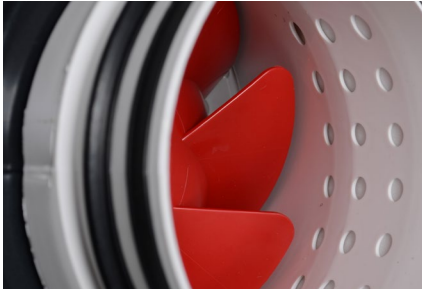
Reducer for DV-PP-SILENT-125



DV-PP-SILENT-150 is designed for both 150mm and 160mm (second gasket) diameter ducts.

Inline duct fan **DV-PP-SILENT**

Construction



Specially designed fan blades



Back flow damper



Double layer insulations
and perforation for acoustics



Electric box for easy installation



Quick assembly and disassembly

Technical data

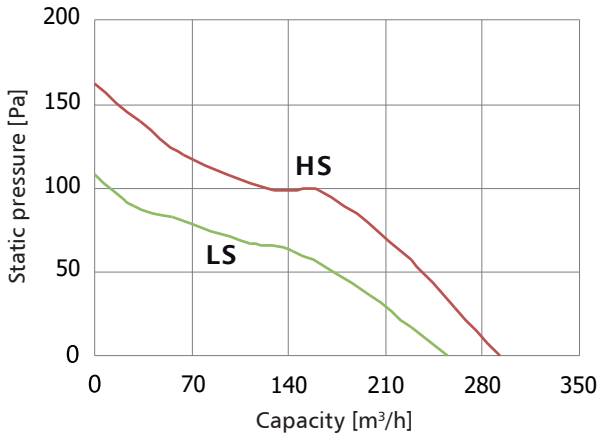
Diameter Ø [mm]	Voltage [v]	Frequency [Hz]	Speed	Power [W]	Current [A]	Speed fan [rpm]	Max. airflow [m³/h]	Max. pressure [Pa]	Noise level* [dB]	Protection class	Max. temp. of transported [°C]
100/125	230	50	Min	28	0,13	1850	248	106	22	IP44	-20 / +60
			Max	33	0,14	2250	284	159	25		
150	230	50	Min	43	0,20	1850	410	240	26	IP44	-20 / +60
			Max	50	0,25	2550	530	300	31		
200	230	50	Min	135	0,58	1950	690	274	29	IP44	-20 / +60
			Max	140	0,60	2450	840	352	35		

*Sound pressure level [dB] measured at 3 m.

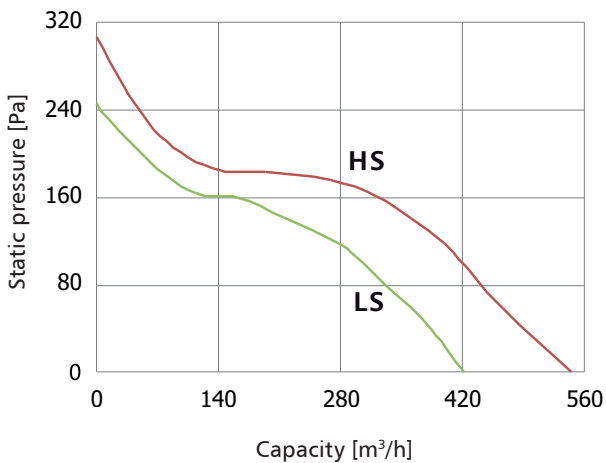
Inline duct fan DV-PP-SILENT

Efficiency

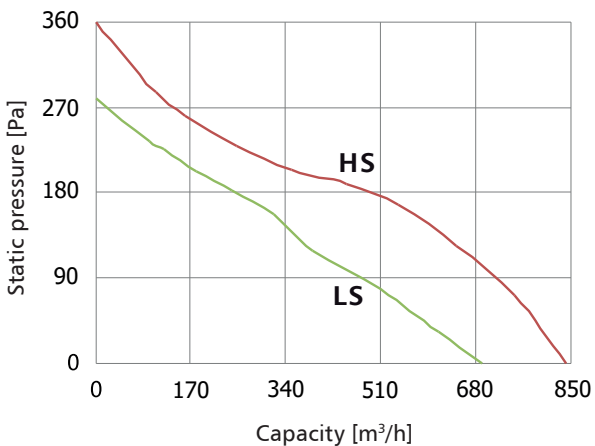
DV-PP-SILENT-100/125



DV-PP-SILENT-150



DV-PP-SILENT-200



Energy label

Model	Sound level [dB]	Max. airflow [m³/h]	Energy class
DV-PP-SILENT-100/125	25	284	B
DV-PP-SILENT-150	31	530	B
DV-PP-SILENT-200	35	840	C

The energy label for DV-PP-SILENT-100/125 features the European Union Energy Label logo with 'ENERG' and 'енергия · ενεργεια' text. It includes the Alnor logo and 'systemy wentylacji'. The energy class is B, indicated by a black arrow pointing to the 'B' bar on the scale. The sound level is 25 dB, and the maximum airflow is 284 m³/h. The label also contains the text 'ENERGIA · ЕНЕРГИЯ · ΕΝΕΡΓΕΙΑ · ENERGIJA · ENERGY · ENERGIE · ENERGI 2017' and '1254/2014'.