

# Backdraught Damper DAOSL-IN



## Description

The DAOSL-IN damper has aluminium blades which open during the air flow in one direction and close when air is draught back. When no air is flowing, blades remain in vertical position due to a spring tension. The damper is supplied with double EPDM gasket. It is commonly installed before external inlets and outlets to prevent reverse air flow. DASOL-IN is designed to be mounted inside ventilation duct. It's time, space and cost effective solution.

### Available material - example identification:

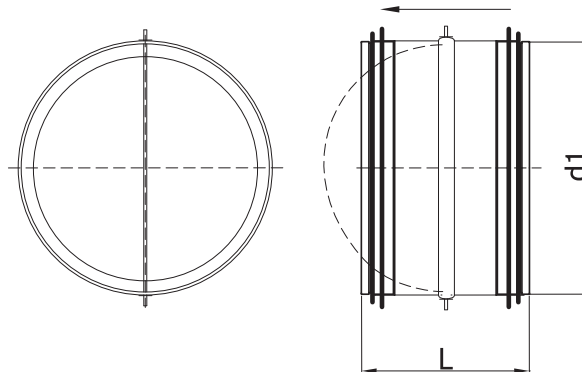
- DAOSL-IN-... - galvanised steel
- DAOSL-K-IN-... - 1.4301/304 stainless steel
- DAOSL-A-IN -... - aluminium sheet

### Example identification

Product code: **DAOSL-IN - aaa**

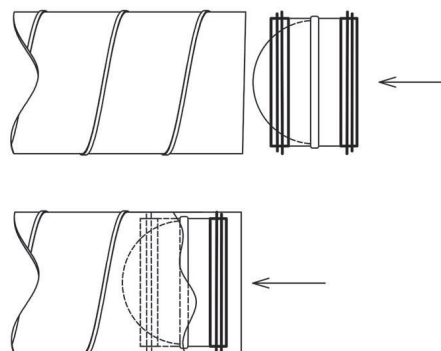
type \_\_\_\_\_  
 Ød<sub>1</sub> \_\_\_\_\_

## Dimensions



Ød <sub>1 nom</sub> [mm]	L [mm]	Weight [kg]
80	130	0.15
100	130	0.2
125	130	0.25
150	130	0.3
160	130	0.32
200	130	0.4
250	190	0.7

## How to install



**Attention**  
 Install a damper in a duct by pressing on the damper outline.