

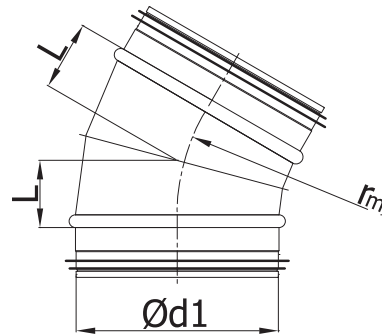
Bends

BSL/BS-30

[Download Wentyle](#)
[Download AlnorCAM](#)
[Buy via B2B](#)



Dimensions



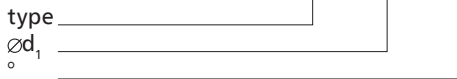
$r_m \varnothing 1 \times d_1$

Description

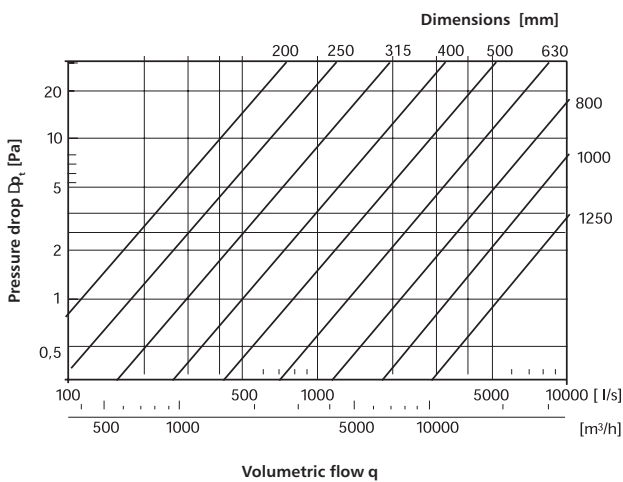
BSL – segmented bend with double EPDM gasket.
 BS – segmented bend without gasket.

Example identification

Product code: **BSL - aaa - 30**



Technical Data



$\varnothing d_1$ rated [mm]	L [mm]	weight [kg]
200	55	0,48
224	58	0,57
250	67	0,71
280	75	0,86
300	80	0,96
315	84	1,04
355	95	1,52
400	107	2,33
450	122	3,50
500	135	4,20
560	151	5,00
600	162	5,60
630	170	6,10
710	192	9,60
800	216	11,60
900	243	14,10
1000	270	17,70
1120	302	24,00
1250	338	28,90
1400	376	35,80
1500	402	40,30
1600	430	44,30